

## Axial Fan With High Pressure



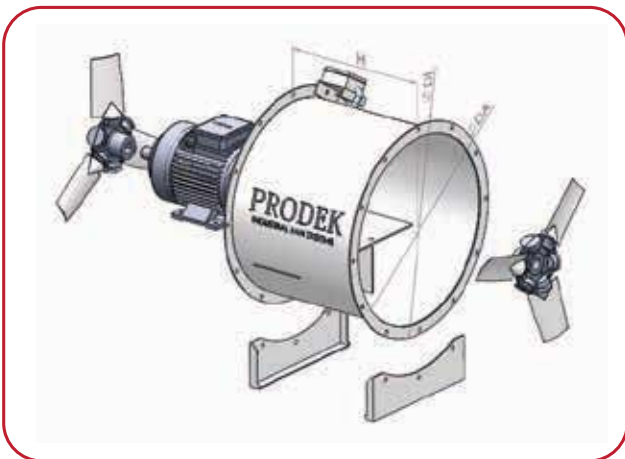
# AKD-HP Series

## Axial Fan With High Pressure

- \*Tubular casing in sheet steel with external terminal box
- \*PL version impellers in fibreglass-reinforced polyamide and AL version impellers in cast aluminium.
- \*Anticorrosive finish of polyester resin polymerised at 190°C. previously degreased with phosphate-free nano technological treatment.
- \*Ventilation units prepared for vertical or horizontal operation.
- \*Double modified motor with double impellers for operation work on high pressure
- \*Approved in accordance with standard EN 12101-3. With certifications no.: 0370-CPR0305 (F-400) and 0370-CPR-0973 (F-300).
- \*Class H motors for S1 continuous operation and S2 emergency use. With ball bearings. IP55 protection and 1 or 2 speeds. depending on model.
- \*Maximum temperature of air to be carried: S1 continuous operation -20°C +40°C. S2 operation 300°C/2h. 400°C/2h.



- \*Airflow direction from motor to impeller
- \*Three-phase and 400/690V-50Hz.
- \*On request - impellers 100% reversible and two speed motor.
- \*Suitable to run with frequency inverter.
- \*Speeds. depending on model.



MODEL	DIMENSIONS (mm)		
	ØD	ØDA	H
AKD-HP 31-2-4T	315	415	330
AKD-HP 35-2-4T	355	455	330
AKD-HP 40-2-4T	400	500	330
AKD-HP 45-2-4T	450	550	330
AKD-HP 50-2-4T	500	600	400
AKD-HP 63-2-4T	630	730	500
AKD-HP 71-2-4T	710	810	500
AKD-HP 80-2-4T	800	900	500
AKD-HP 90-2-4T	900	1000	600
AKD-HP 100-2-4T	1000	1100	600
AKD-HP 112-2-4T	1120	1220	600
AKD-HP 125-2-4T	1250	1350	600

