

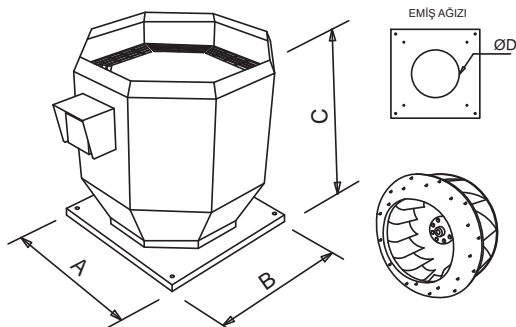
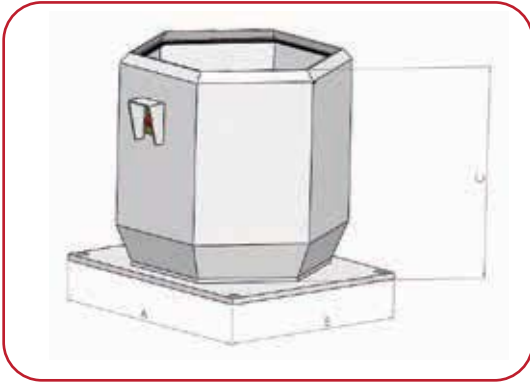
## Roof Fan With Vertical Air Outlet



### RCD-D Series

#### Roof Fan With Vertical Air Outlet

- \*Galvanised sheet steel support base
- \*Vertical air outlet and aluminium rain cap
- \*Backward-curved impeller. made of galvanised sheet steel.
- \*Maximum temperature of air to be carried:  
-25°C +120°C
- \*Bird control grille.
- \*Three-phase 230/400V-50Hz.
- \* suitable to run with frequency inverter.
- \* Class F motors with ball bearings and IP55 protection.



MODEL	AIRFLOW M <sup>3</sup> /H	PWR (KW)	SOUND (dBA)	TRANS (DK)
RCD-D 31-2T-0,37	2800	0,37	60	2950
RCD-D 32-4T-0,55	3000	0,55	65	1450
RCD-D 35A-4T-0,55	3500	0,55	66	1450
RCD-D 35B-4T-0,55	4000	0,55	67	1450
RCD-D 40A-4T-0,75	5000	0,75	68	1450
RCD-D 40B-4T-1,1	6000	1,1	68	1450
RCD-D 45A-4T-1,1	7000	1,1	73	1450
RCD-D 45B-4T-1,5	8000	1,5	73	1450
RCD-D 50A-4T-2,2	9000	2,2	74	1450
RCD-D 50B-4T-2,2	10000	2,2	75	1450
RCD-D 50C-4T-3	12000	3	75	1450
RCD-D 55A-4T-4	14000	4	76	1450
RCD-D 55B-4T-4	16000	4	76	1450
RCD-D 63A-4T-5,5	18000	5,5	77	1450
RCD-D 63B-4T-7,5	20000	7,5	77	1450

	DIMENSIONS (mm)		
	A	B	C
RCD-D 31-2T-0,37	400	400	370
RCD-D 32-4T-0,55	590	590	555
RCD-D 35A-4T-0,55	590	590	555
RCD-D 35B-4T-0,55	590	590	555
RCD-D 40A-4T-0,75	700	700	650
RCD-D 40B-4T-1,1	700	700	650
RCD-D 45A-4T-1,1	700	700	650
RCD-D 45B-4T-1,5	700	700	650
RCD-D 50A-4T-2,2	785	785	735
RCD-D 50B-4T-2,2	785	785	735
RCD-D 50C-4T-3	785	785	735
RCD-D 55A-4T-4	860	860	840
RCD-D 55B-4T-4	860	860	840
RCD-D 63A-4T-5,5	980	980	960
RCD-D 63B-4T-7,5	980	980	960

[www.prodeksan.com](http://www.prodeksan.com)